

# Guitar Habitat<sup>®</sup> - Small

DIMENSIONS • 63" H x 32-3/8" W x 21-1/2" D



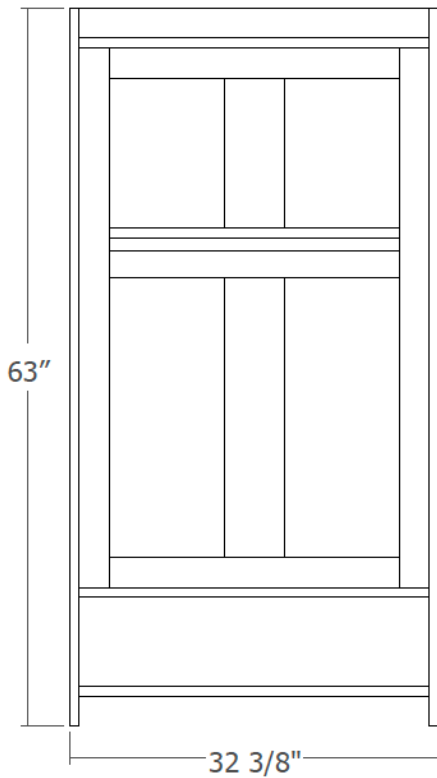
115 NORTH 5TH ST. • PO BOX 395 • PERKASIE, PA 18944



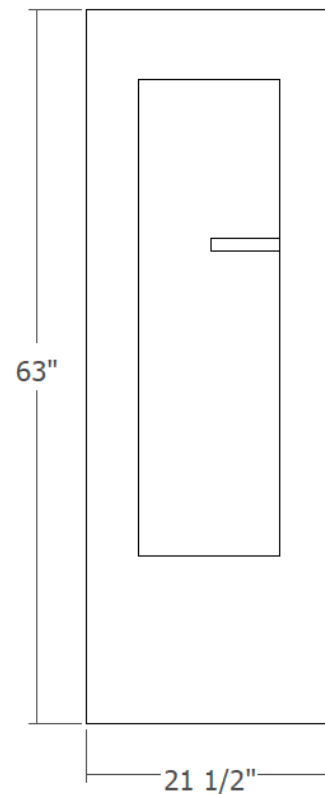
## Guitar Habitat® - Small

DIMENSIONS • 63" H x 32-3/8" W x 21-1/2" D

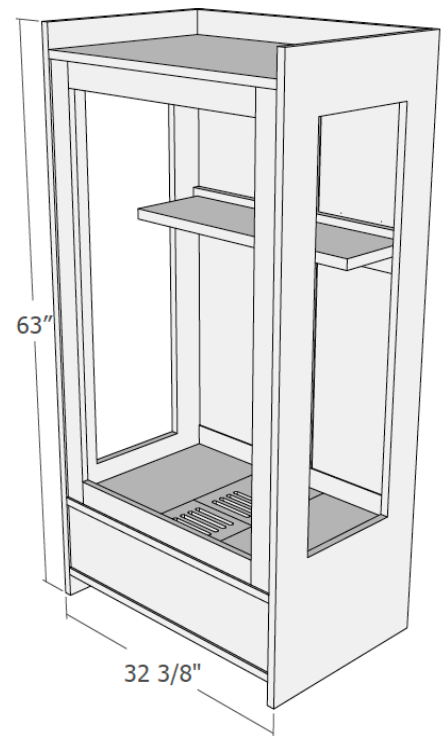
The Small Guitar Habitat® is perfect for those who have up to four stringed instruments. This cabinet comes standard in natural cherry or oak exterior with a standard 1.5 quart humidifier, patented Horneff door, door lock, analog controller, and standard LED Lighting.



FRONT



SIDE



ISOMETRIC

